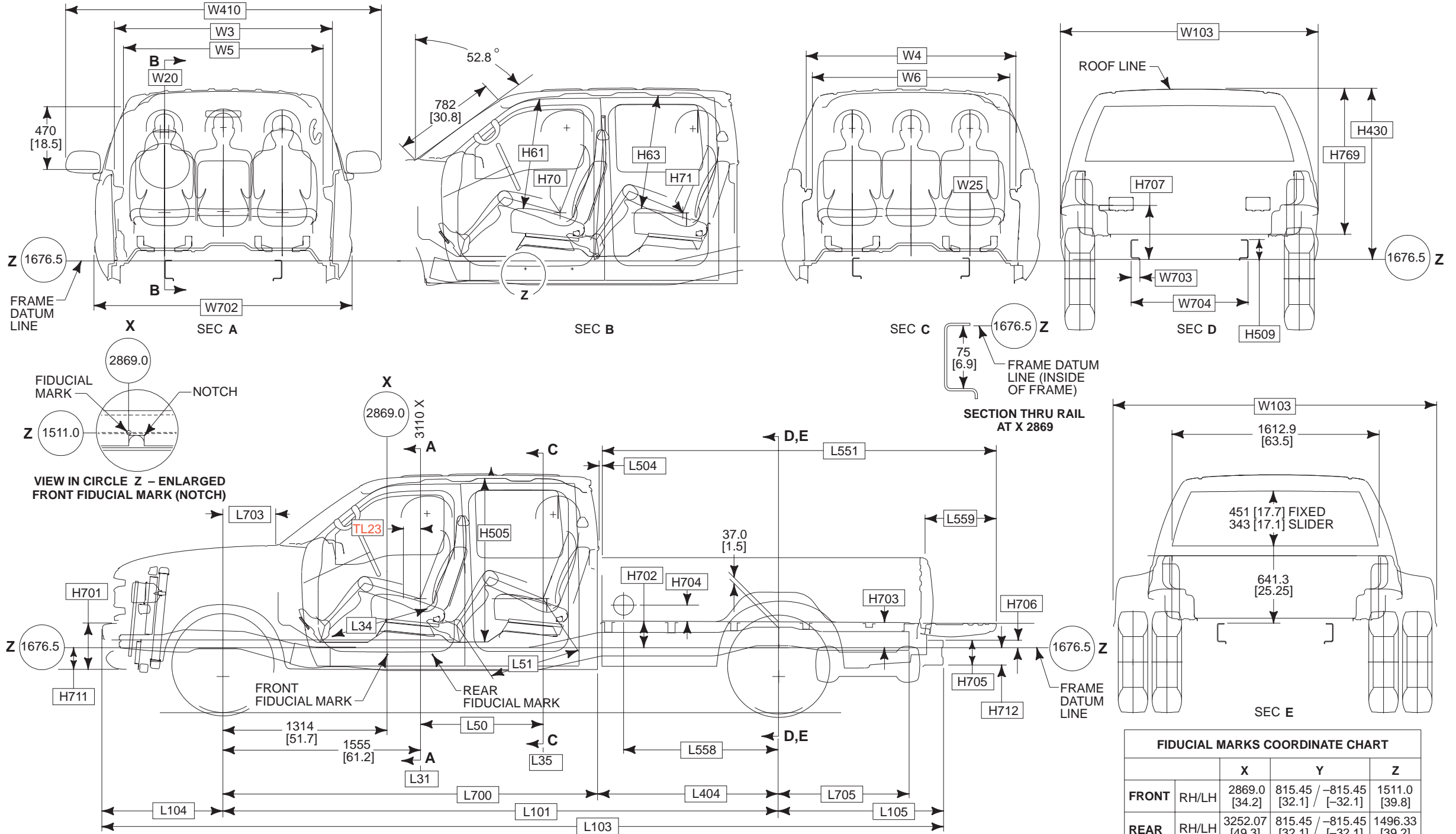


# DIMENSIONAL DATA SUPER DUTY F-250/350 CREW CAB STYLE SIDE PICKUP — 4X2/4X4



**NOTES** — [ ] DIMENSIONS ARE IN INCHES.  
 — INTERIOR BOX DIMENSIONS, PAGES 154-155  
 — AXLE/TIRE/VEHICLE HEIGHT DATA, PAGES 160-161  
 ★ MEASURED FROM TOP OF FRAME TO BOTTOM OF REAR WINDOW

# DIMENSIONAL DATA SUPER DUTY F-250/350 CREW CAB STYLE SIDE PICKUP — 4X2/4X4

### CHASSIS

CODE	DESCRIPTION	SWB	LWB
H509	FRAME DATUM LINE TO TOP OF FRAME AT REAR AXLE	162 [6.4]	162 [6.4]
L101	WHEELBASE	3967 [156.2]	4378 [172.4]
L103	OVERALL LENGTH — W/REAR BUMPER	6243 [245.8]	6654 [262.0]
L104	FRONT OVERHANG	950 [37.4]	950 [37.4]
L105	REAR OVERHANG — W/BUMPER	1326 [52.2]	1326 [52.2]
L404	BACK OF CAB TO $\text{C}$ OF REAR AXLE	1016 [40.0]	1427 [56.2]
L705	$\text{C}$ REAR AXLE TO END OF FRAME	1026 [40.4]	1026 [40.4]
W703	FRAME RAIL WIDTH	72 [2.8]	72 [2.8]
W704	REAR FRAME WIDTH	956 [37.7]	956 [37.7]

### PICKUP BODY

CODE	DESCRIPTION	SWB	LWB
<b>NOMINAL CARGO BODY SIZE</b>			
H702	FRAME DATUM LINE TO TOP OF CARGO BOX FLOOR — FRONT	211 [8.3]	211 [8.3]
H703	FRAME DATUM LINE TO CARGO BODY FLOOR — REAR	199 [7.8]	199 [7.8]
H704	TOP OF FLOOR TO $\text{C}$ OF FUEL FILLER DOOR	126 [5.0]	126 [5.0]
H705	REAR BUMPER HEIGHT	219 [8.6]	219 [8.6]
H706	FRAME DATUM TO TOP OF BUMPER STEP	124 [4.9]	124 [4.9]
H707	FRAME DATUM TO TOP OF WHEELHOUSE	435 [17.1]	435 [17.1]
H712	FRAME DATUM LINE TO BOTTOM OF REAR BUMPER	163 [6.4]	163 [6.4]
H769	TOP OF FLOOR TO TOP OF CAB @ $\text{C}$ REAR WHEELS	1164 [45.8]	1164 [45.8]
L504	CAB TO PICKUP BODY	28 [1.1]	28 [1.1]
L551	OVERALL TO OPEN TAILGATE	2698 [106.2]	3109 [122.4]
L558	$\text{C}$ REAR AXLE TO $\text{C}$ FUEL FILLER DOOR SRW DRW	597 [23.5] 667 [26.3]	1223 [48.2] 1223 [48.2]
L559	OPEN TAILGATE	549 [21.6]	549 [21.6]
W103	VEHICLE WIDTH SRW DRW	2031 [79.9] 2426 [95.5]	2031 [79.9] 2426 [95.5]

### CAB

CODE	DESCRIPTION	4x2/4x4
H61	EFFECTIVE HEADROOM — FRONT	1052 [41.4]
H63	EFFECTIVE HEADROOM — REAR BENCH SEAT	1040 [41.0]
H70	SEATING REFERENCE POINT — SgRP — LH/RH — FRONT (Z)	2071 [61.9]
H71	SEATING REFERENCE POINT — SgRP — LH/RH — REAR BENCH SEAT (Z)	2071 [61.9]
H430	FRAME DATUM TO TOP OF CAB	1368 [53.9]
H505	MAXIMUM CARGO HEIGHT	1284 [50.6]
H701	FRONT BUMPER HEIGHT — W/O VALANCE — W/VALANCE	337 [13.3] 361 [14.2]
H711	FRAME DATUM TO BOTTOM OF FRONT BUMPER — W/O VALANCE — W/VALANCE	145 [5.7] 170 [6.7]
TL23	FORWARD SEAT TRACK	160 [6.3]
L31	SEATING REFERENCE POINT — SgRP — LH/RH — FRONT (X)	3110 [43.7]
L34	MAXIMUM EFFECTIVE LEG ROOM — FRONT — W/VINYL MAT — W/CARPET	1034 [40.7] 1036 [40.8]
L35	SEATING REFERENCE POINT — SgRP — LH/RH — REAR BENCH SEAT (X)	4078 [81.8]
L50	H-POINT COUPLE DISTANCE	968 [38.1]
L51	EFFECTIVE LEG ROOM — REAR — FRONT BENCH/REAR BENCH — FRONT CAPTAIN'S CHAIR, REAR BENCH	1050 [41.3] 1038 [40.9]
L700	$\text{C}$ FRONT AXLE TO BACK OF CAB	2951 [116.2]
L703	$\text{C}$ FRONT AXLE TO COWL POINT	447 [17.6]
W3	SHOULDER ROOM — FRONT — BASE TRIM — HIGH SERIES TRIM	1728 [68.0] 1701 [67.0]
W4	SHOULDER ROOM — REAR — BASE TRIM — HIGH SERIES TRIM	1726 [68.0] 1700 [66.9]
W5	HIP ROOM — FRONT — BASE TRIM — HIGH SERIES TRIM	1711 [67.4] 1711 [67.4]
W6	HIP ROOM — REAR BASE TRIM	1708 [67.3]
W20	SEATING REFERENCE POINT — SgRP — LH/RH — FRONT (Y)	— 464/464 [- 18.3/18.3]
W25	SEATING REFERENCE POINT — SgRP — LH/RH — REAR BENCH SEAT (Y)	— 464/464 [- 18.3/18.3]
W410	OVERALL CAB WIDTH W/MIRRORS — MANUAL — ELECTRIC — TRAILER TOW	2522 [99.3] 2522 [99.3] 2677 [105.4]
W702	FRONT BUMPER WIDTH	2006 [79.0]